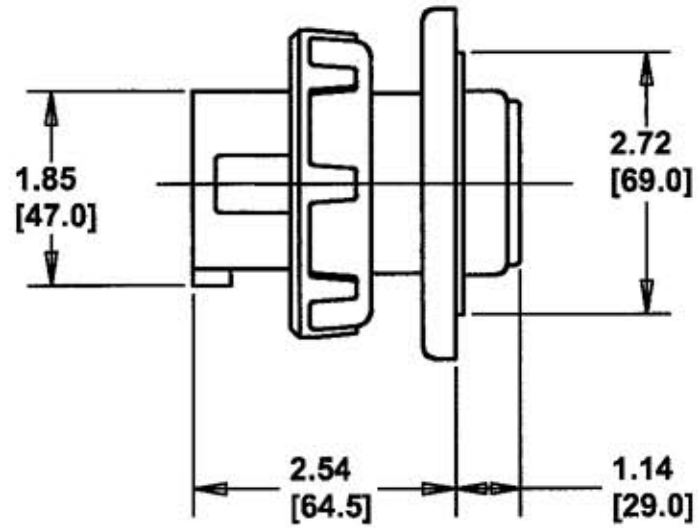
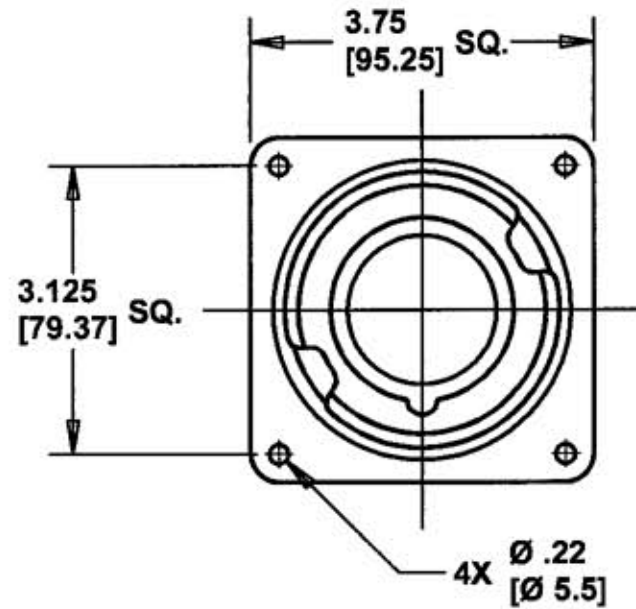


M-6054 3



LIST OF PARTS		
DESCRIPTION	MATERIAL	FINISH
HOUSING	SEE TABLE	
GASKET	NEOPRENE	
LOCK RING	POLYESTER	
INTERIOR	THERMOSET	
PINS	BRASS	
TERMINAL SCREWS	ST. STEEL	
FLANGE	NYLON	
ASSEMBLY SCREWS	ST. STEEL	

DIMENSION SHEET FOR CAT. NO. SEE TABLE

REPAIRABLE NON-REPAIRABLE

B

M-6054

3

CAT. NO.	CONFIGURATION	RATING	COMMENTS	HOUSING		CAT. NO.	CONFIGURATION	RATING	COMMENTS	HOUSING	
				MATERIAL	COLOR					MATERIAL	COLOR
						HBL320B7W		20 A 480 VDC		NYLON	RED
HBL320B4W		20 A									
HBL316B4W		125 VAC									
HBL320B6W		20 A 250 VAC								NYLON	BLUE
HBL316B6W		16 A 220-240 VAC								NYLON	BLUE

4 REDRAWN ON CAD WITH CHANGES. ADDED NOTES 1 & 2, "16A" TO DWG. TITLE AND "HOUSING" AND "COMMENTS" COLUMNS TO TABLE. "Ø" WAS "DIA." AND "[XX.X]" WAS "MM". IN LIST OF PARTS, "SEE TABLE" WAS "NYLON" AND "NEOPRENE" WAS "RUBBER". SUPERSEDES DWG. DATED 5/2/80 PER DCN #12944. JMN

DJP 5/23/06

SYM	REVISIONS	APP	DATE

THE DESIGN AND DIMENSIONS OF THE PRODUCT SHOWN ON THIS DRAWING ARE SUBJECT TO CHANGE WITHOUT NOTICE

TITLE 16A & 20A 2 POLE 3 WIRE PIN AND SLEEVE INLETS

TOLERANCES UNLESS OTHERWISE SPECIFIED FRACTIONS ± 1/64 DECIMALS ± .005 ANGLES ± 2°	WIRING DEVICE—KELLEMS HUBBELL INCORPORATED BRIDGEPORT, CT	
	DR. BY W.T.C.	APP. BY DJP
	TR. BY JMN	SCALE NONE
	CHK'D BY DJP	DATE 5/23/06

NOTES (UNLESS OTHERWISE SPECIFIED)
 1) TOLERANCES ARE: DECIMALS ± .03
 ANGLES ± 2°
 2) DIMENSIONS ARE: INCHES [MILLIMETERS]